

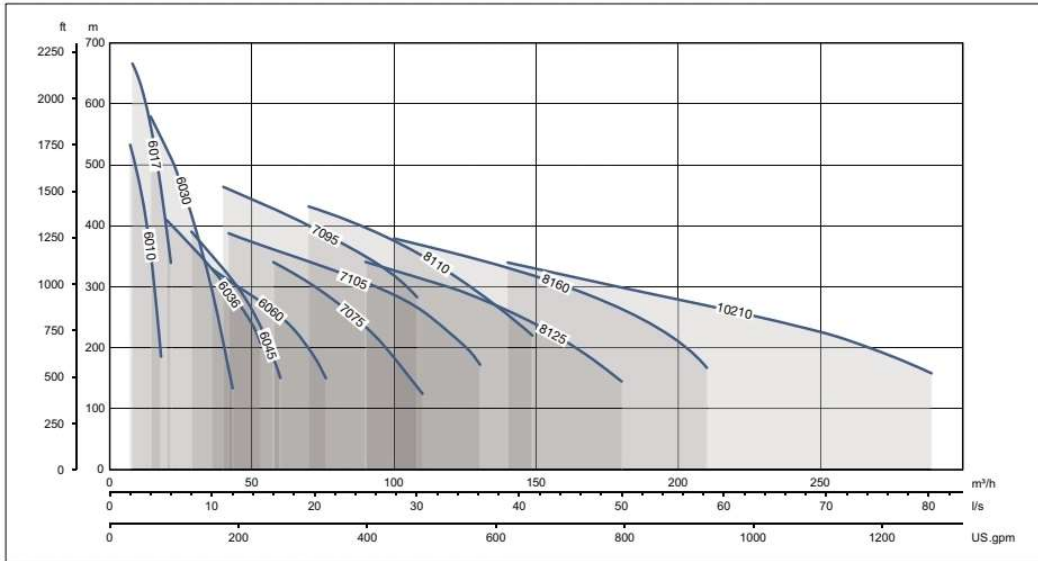
Looking ahead,  
going beyond expectations  
*Ahead > Beyond*



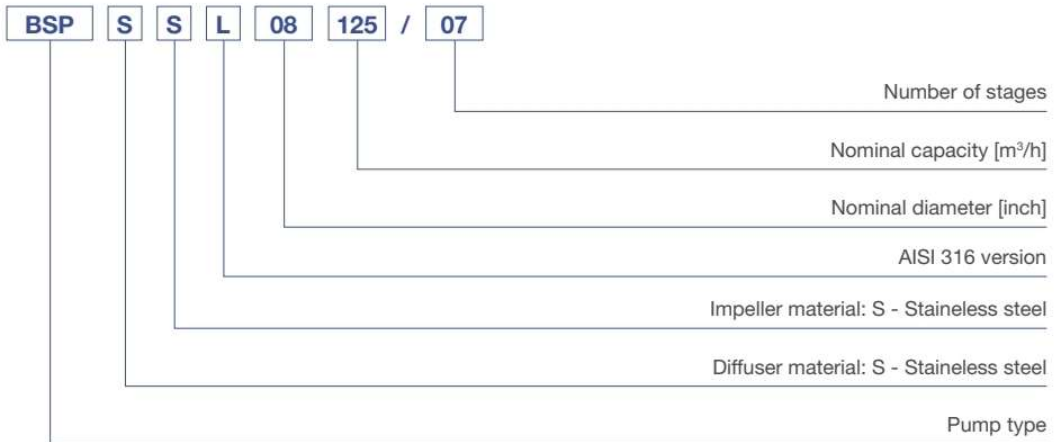
**BSP SS - Stainless steel submersible pumps** Databook 50Hz



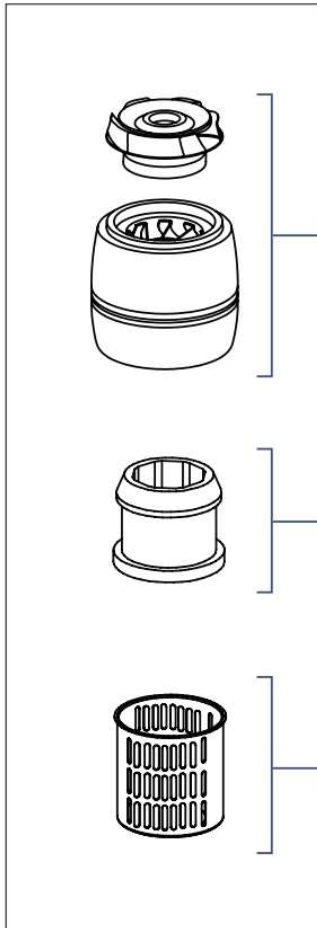
## Performance Range



## Type key



## General information



### **Stainless steel construction**

Diffusers, impellers, suction case, discharge case provide maximum strength, durability, wear and tear resistance are in stainless steel

### **Sandproof bearings**

Rubber bearings are water lubricated and have sand channels to make enable the sand particles leave the pump with the pumped liquid.

### **Strainer protection**

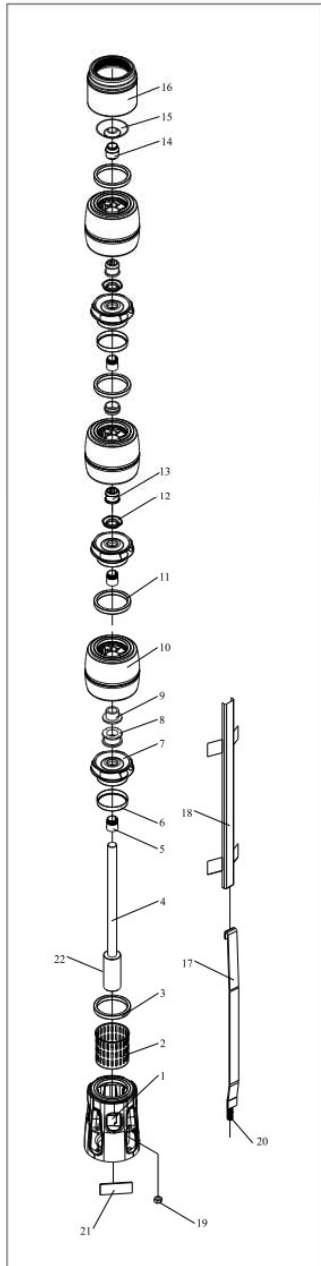
The stainless steel strainer prevents particles over a certain size from entering the pump.

### **Main features**

- Long life
- High efficiency
- High durability and solid construction
- Easy service operation
- Suitable connection in NEMA standards
- Water lubricated rubber bearing
- Built-in checkvalve to prevent back flow

## Sectional view

10...60 m<sup>3</sup>/h



N°	Part name	Material
1	Suction Case	Stainless Steel (AISI 304L)
2	Strainer	Stainless Steel (AISI 304L)
3	Suction Case Wear Ring	Bronze (ASTM B145-4A)*AISI 304+EPDM
4	Pump Shaft	Stainless Steel (AISI 431)
5	Collet	Stainless Steel (AISI 304)
6	Impeller Wear Ring	Stainless Steel (AISI 304L)
7	Impeller	Stainless Steel (AISI 304L)
8	Nut For Stop Ring	Stainless Steel (AISI 304)
9	Stop Ring	Bronze (ASTM B145-4A)
10	Diffuser	Stainless Steel (AISI 304L)
11	Diffuser Wear Ring	EPDM
12	Nut For Collet	Stainless Steel (AISI 304L)
13	Rubber Bearing	EPDM
14	Upper Bearing	Bronze (ASTM B145-4A)
15	Valve Cup	Stainless Steel (AISI 304L)
16	Discharge Case	Stainless Steel (AISI 304L)
17	Tie Rod	Stainless Steel (AISI 304L)
18	Cable Guard	Stainless Steel (AISI 304L)
19	Tie Rod Nut	Stainless Steel (AISI 304)
20	Tie Rod Stud	Stainless Steel (AISI 316)
21	Name Plate	Stainless Steel (AISI 304L)
22	Coupling	Stainless Steel (AISI 431)

\* Only used for series BSP SS 06010/06017/06030

# PT EBARA INDONESIA



## HEAD OFFICE & FACTORY

Jl. Raya Jakarta-Bogor Km.32 Curug, Cimanggis, Kota Depok, Jawa Barat  
Phone : (+6221) 8740 852-53 (Hunting) Fax: (+6221) 8740 033



2021

[WWW.EBARAINDONESIA.COM](http://WWW.EBARAINDONESIA.COM)